

READ AND SAVE THESE INSTRUCTIONS

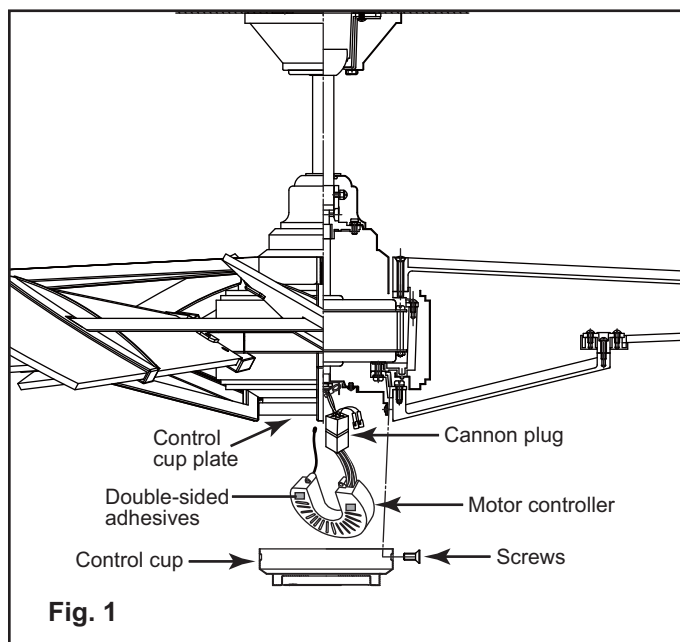
WARNING! RISK OF ELECTRIC SHOCK

All electrical connections must be in accordance with local codes, ordinances, or national codes. If you are unfamiliar with methods of installing electrical wiring, secure the services of a qualified electrician.

Before starting installation, disconnect the power by turning off the circuit breaker or removing the fuse at fuse block. Turning power off using fan switch (speed control on/off) is not sufficient to prevent electrical shock.

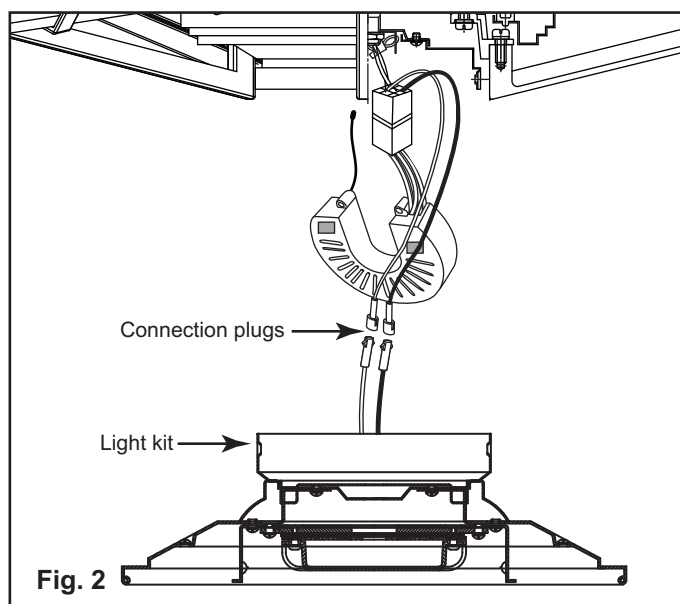
NOTE: The important safeguards and instructions appearing in this manual are not meant to cover all possible conditions and situations that may occur. It must be understood that common sense, caution and care are factors which cannot be built into any product. These factors must be supplied by the person (s) caring for and operating the unit.

1. Remove the control cup from the control cup plate by remove the three screws on the control cup plate. Separate adhesives from control cup. (Fig. 1)



2. While holding the light kit under your fan motor assembly, locate two single white and blue wires in the control cup labeled "FOR LIGHT". Make the polarized plug connections: (Fig. 2)

- White to white
- Blue to black



3. Carefully push all wires and motor controller back into the control cup of the light kit (using the double-sided adhesive tape from controller), then install the light kit assembly onto the fan with the 3 screws provided. Be sure to tighten all screws. (Fig.3)

4. Raise the glass shade up against the light kit and secure it to the fan by turning the glass shade clockwise until snug. **DO NOT OVERTIGHTEN.** (Fig. 3)

5. Raise the glass frame up against the light kit and secure it with four screws provided.

Restore power and your light kit is ready for operation.

